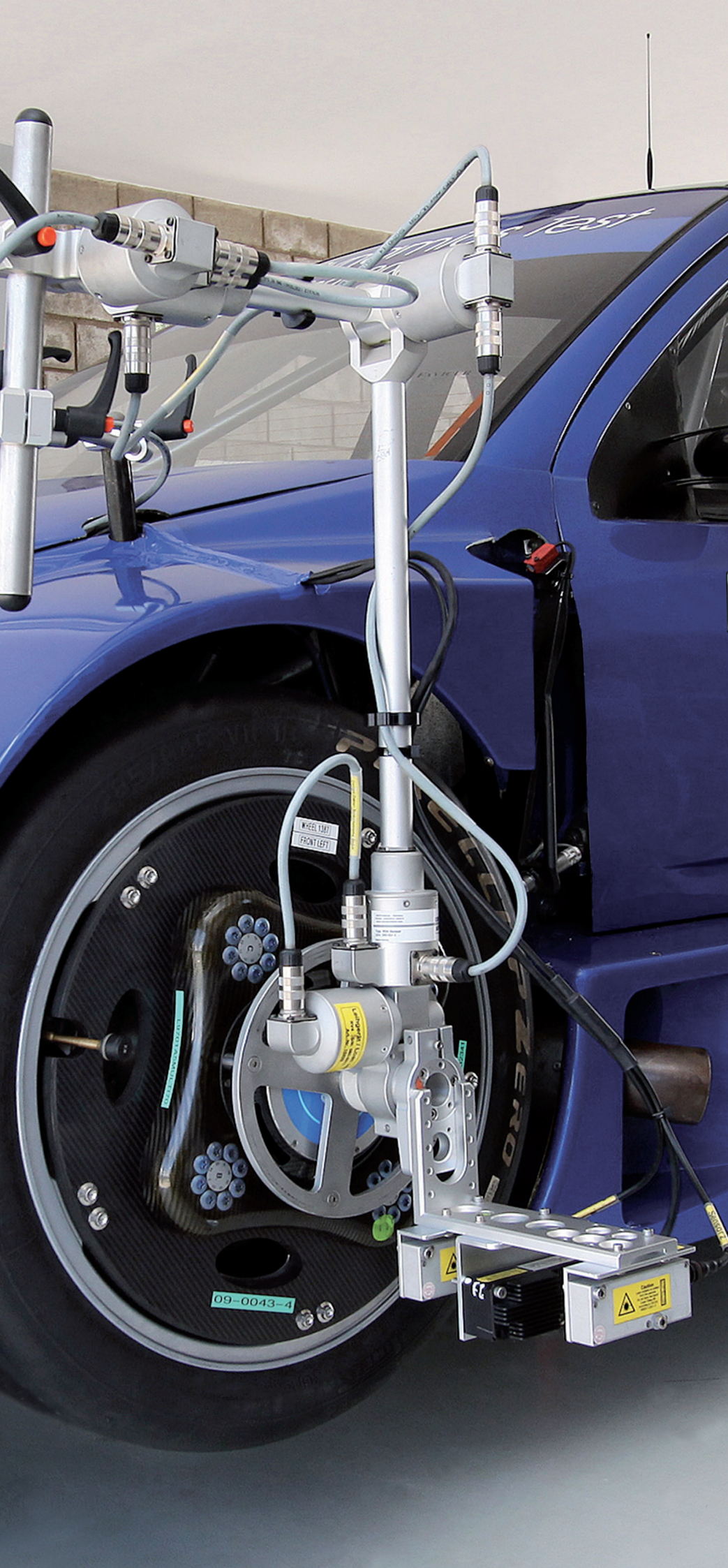


KISTLER

measure. analyze. innovate.

Vehicle Dynamics & Durability

Standard Mounting
Units



Kistler – Your System Provider for Vehicle Testing

As a technology leader in the vehicle dynamics & durability testing market Kistler provides sophisticated system solutions for measuring the related forces, torques, motions/kinematics and accelerations.

This brochure shows a selection of the most important mounting units for use with Kistler measurement equipment in the field of vehicle dynamics and durability testing.

The mounting units shown on the following pages are examples of standard mounting units for cars. In addition to these we are able to provide standard mounting equipment for utility vehicles and also customized solutions if required.

Get Better. With Kistler.



Standard Mounting Units – Overview

| | | Chassis | | | | | Indoor | Wheel | | | Combinations | | |
|---------------------|--------------------------------|---------|---------|--------|---------|---------|--------|-------|-----|-------|--------------|-----|-----------------------------|
| | | Side | | Front | | Rear | | Car | SUV | Truck | RV-4 | DCA | Opt. ¹⁾ / WPT |
| | | Magnet | Suction | Magnet | Suction | Tow lug | | | | | | | |
| Optical / Microwave | Correvit® LFII | ● | ● | ● | ● | ● | | ● | | | | | |
| | Correvit® L-350 | ● | ● | ● | ● | ● | | | | | | | |
| | Correvit® SFII | ● | ● | ● | ● | ● | | ● | | | ● | ● | ● |
| | Correvit® S-350 | ● | ● | ● | ● | ● | | ● | ● | ● | ● | ● | ● |
| | Correvit® S-HR | ● | ● | | | ● | | ● | ● | ● | | | |
| | HF | ● | ● | | | ● | | ● | ● | ● | | ● | ● |
| | DCA System | | | | | | | ● | ● | ● | ● | | |
| | Microstar II | ● | ● | | | | | | | | | | |
| Mechanical | WPT | | | | | | | ● | ● | ● | ● | ● | ● |
| | RV-4 | | | | | | | ● | ● | ● | | | |
| | MSW | | | | | | ● | | | | | | |
| Wheel Force | RoaDyn® on-board transmission | | | | | | | ● | ● | | ● | ● | ● |
| | RoaDyn® out-board transmission | | | | | | | ● | ● | ● | ● | ● | ● |

● Standard ● on request

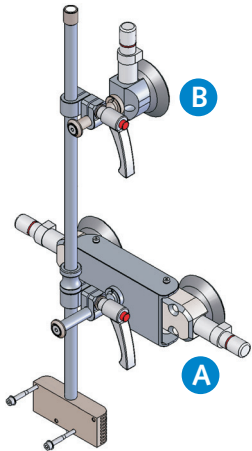
¹⁾ Optical Correvit sensors: SFII, S-350, S-HR

Applications or combinations not mentioned in the above table on request.

RoaDyn® and Correvit® are registered trade marks of Kistler Holding AG

Car Body Mounting – Examples

3-Point Suction Holder for LFII-P, SFII-P and HF Sensors



Type KCD16049

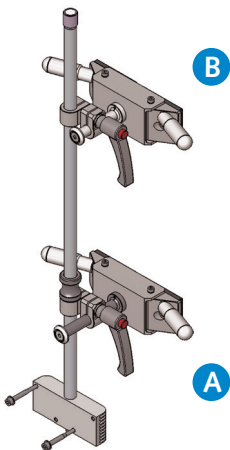
Mounting Example



Description

The 3-point suction holder Type KCD16049 for LF/SF and HF sensors consists of the suction holder unit including the mounting rod and sensor mounting plate (A), plus a stabilizing element (B). It is suited for side mounting on the car body. Together with the extension Type KCD15577 (see page 5) you can also use it for vehicle front mounting.

8-Point Magnetic Holder for LFII-P, SFII-P and HF Sensors



Type KCD14091

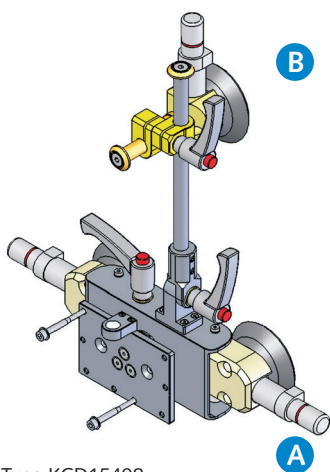
Mounting Example



Description

The 8-point magnetic holder Type KCD14091 for LF/SF and HF sensors consists of the magnetic holder unit including the mounting rod and sensor mounting plate (A), plus a stabilizing element (B). It is suited for side mounting on the metal car body. Together with the extension Type KCD15577 (see page 5) you can also use it for vehicle front mounting.

3-Point Suction Holder for L-350 Aqua, S-350 Aqua and HF Sensors



Type KCD15408

Mounting Example

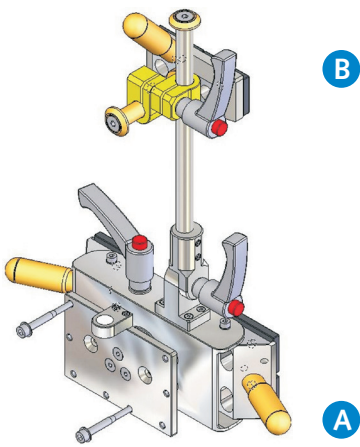


Description

The 3-point suction holder Type KCD15408 for L-350/S-350 and HF sensors consists of the suction holder unit including the mounting rod and sensor mounting plate (A), plus a stabilizing element (B). It is suited for side mounting on the car body. For easy adjustment of the sensor, the top of the mounting plate is fitted with a liquid level indicator. You can install the suction holder either horizontal or vertical. An optional sensor mounting extension (Type KCD16048) provides more flexibility regarding the mounting height. Together with the extension Type KCD15577 (see page 5) you can also use it for vehicle front mounting.

Car Body Mounting – Examples

6-Point Magnetic Holder for L-350 Aqua, S-350 Aqua and HF Sensors



Type KCD15213

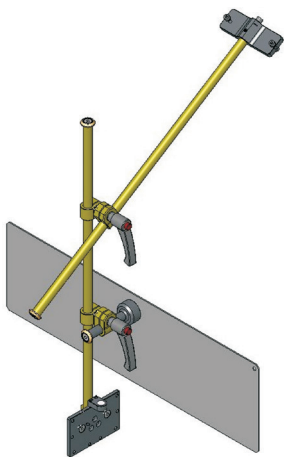
Mounting Example



Description

The 6-point magnetic holder Type KCD15213 for L-350/S-350 and HF sensors consists of the magnetic holder unit including the mounting rod and sensor mounting plate (A), plus a stabilizing element (B). It is suited for side mounting on the metal car body. For easy adjustment of the sensor, the top of the mounting plate is fitted with a liquid level indicator. You can install the magnetic holder either horizontal or vertical. An optional sensor mounting extension (Type KCD16048) provides more flexibility regarding the mounting height. Together with the extension Type KCD15577 (see below) you can also use it for vehicle front mounting.

Extension with Mounting Plates for Front Mounting LFII-P, SFII-P, L-350 Aqua and S-350 Aqua Sensors



Type KCD15577

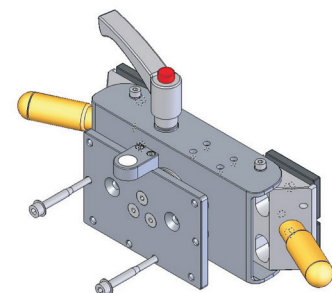
Mounting Example



Description

The extension with mounting plates Type KCD15577 can be used with suction holders Type KCD16049 or KCD15408 and magnetic holders Type KCD14091 or KCD15213 to enable sensor mounting on the front of the vehicle.

4-Point Magnetic Holder for HF Sensors



Type KCD15694

Mounting Example

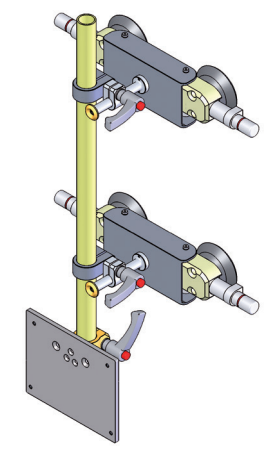


Description

The 4-point magnetic holder Type KCD15694 for HF sensors is designed for easy and quick mounting of HF laser height sensors on the metal car body. For easy adjustment of the sensor, the top of the mounting plate is fitted with a liquid level indicator. You can install the suction holder either horizontal or vertical.

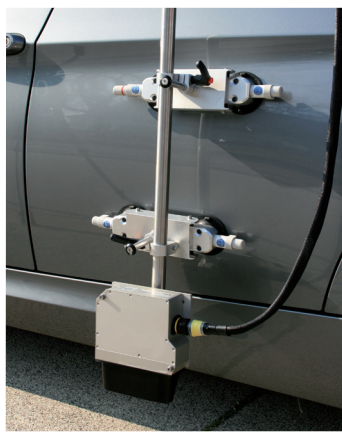
Car Body Mounting – Examples

4-Point Suction Holder for S-HR Sensors



Type KCD17092

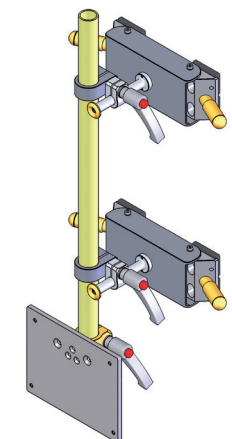
Mounting Example



Description

The 4-point suction holder Type KCD17092 for S-HR sensors consists of two suction holder units including the mounting rod and sensor mounting plate. It is suited for side mounting on the car body.

8-Point Magnetic Holder for S-HR Sensors



Type KCD17091

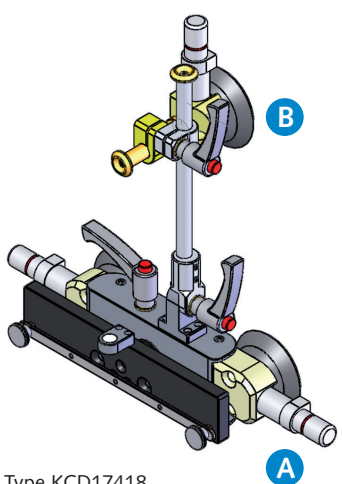
Mounting Example



Description

The 8-point magnetic holder Type KCD17091 for S-HR sensors consists of two magnetic holder units including the mounting rod and sensor mounting plate. It is suited for side mounting on the metal car body.

3-Point Suction Holder for Microstar II Sensors



Type KCD17418

Mounting Example

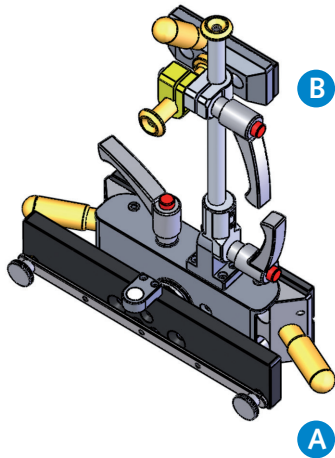


Description

The 3-point suction holder Type KCD17418 for Microstar II sensors consists of the suction holder unit including the mounting rod and sensor mounting plate (A), plus a stabilizing element (B). It is suited for side mounting on the car body. For easy adjustment of the sensor, the top of the mounting plate is fitted with a liquid level indicator. You can install the suction holder either horizontal or vertical.

Car Body/Indoor Mounting – Examples

6-Point Magnetic Holder for Microstar II Sensors



Type KCD17417

Mounting Example



Description

The 6-point magnetic holder Type KCD17417 for Microstar II sensors consists of the magnetic holder unit including the mounting rod and sensor mounting plate (A), plus a stabilizing element (B). It is suited for side mounting on the metal car body. For easy adjustment of the sensor, the top of the mounting plate is fitted with a liquid level indicator. You can install the suction holder either horizontal or vertical.

Laptop Car Mounting for Standard Laptops



Type KCD14539

Mounting Example



Description

The laptop car mounting kit includes a base, a stand, a swivelling arm, and a table top that can securely hold all types of laptops that are not exceeding 370 mm width. The adjustable laptop position provides optimal viewing angle. A retaining element to lock the Laptop on the mounting ensures best possible safety. Rubber dampers absorb damaging shock and vibration helping to prevent them from transferring to your laptop. The laptop's power supply can be stored safely underneath the laptop. The laptop car mounting kit is also available with an additional trigger box (Type KCD14543).

For further information please refer to separate data sheet KCD14539_000-921e.

MSW Adapter Universal V3 for MSW Sensors



Type KCD16188

Type KCD15747

Mounting Example



Description

The MSW Adapter Universal V3 Type KCD16188 is designed to enable mounting of the Kistler steering wheel (MSW sensor) without use of custom-fabricated steering shaft adapters.

The universal adapter is simply clamped onto the steering wheel of the test vehicle, which is possible due to the compact dimensions of the Kistler MSW.

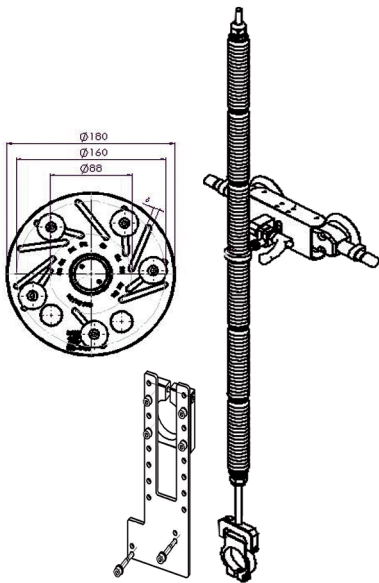
Customer-specific adapters can be provided on request.

As an option we also offer an additional 1-point mounting bracket (Type KCD15747) for fixing the stator.

For further information please refer to separate data sheet KCD16188_000-919e.

Wheel Mounting – Examples

Wheel Mounting Unit for Correvit® SFII Sensors



Type KCD14178

Mounting Example



Description

The wheel mount system Type KCD14178 is designed to enable precision tire-slip measurement with Correvit SFII Sensors. It consists of

- Torsion rod with protective boot
- Suction holder
- Torsion rod mounting clamp
- Mounting disk with mounting hub

Optional Accessories

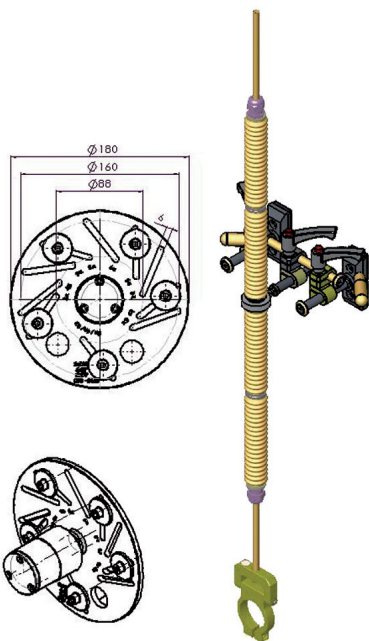
Mounting collets for various lug nut sizes. Standard dimensions are:

- 17 mm, Type KCD10070
 - 19 mm, Type KCD10071
 - 21 mm, Type KCD10072
- Further lug nuts on request

- Centering stars (1 each for 3-, 4- and 5-lug hubs)

Wheel mount for S-350, S-Motion and SHR sensors on request

Wheel Mounting Unit for DCA System



Type KCD14582

Type on request

Mounting Example



Description

The DCA wheel mounting unit consists of a mounting disk (Type KCD14582), a sensor mounting bracket for mounting the HF sensors (Type KCD15237) and a torsion rod with suction holders (Type KCD15646) or magnet holders (Type on request) for fixing the DCA system on the car body.

For easy adjustment of the sensors, the top of the sensor mounting bracket is fitted with a liquid level indicator.

An optional mounting plate (Type KCD14623) enables to mount a SFII sensor for additional slip angle measurement.

Wheel Mounting – Examples

Suction Mount System for Wheel Vector Sensor RV-4

Mounting Example



Description

The RV-4 suction mount system is designed for safe, secure mounting on the vehicle hood and is proofed for all testing conditions. It consists of a stable mounting bar, suction cups with ball joints and aluminum clamps with locking levers. A ball joint on each suction cup element enables fast and accurate positioning of the suction mountings.

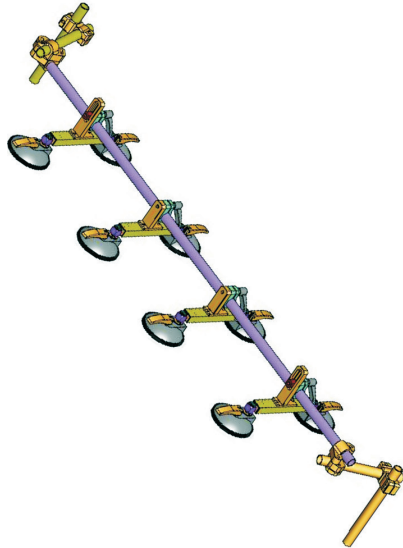
The RV-4 mounting system is available as 4-point suction mount for use with one RV-4 sensor (Type KCD14732) or as 8-point suction mount for use with two RV-4 sensors (Type KCD14731).

Special versions, e.g. for trucks, on request.

The required wheel mount unit is included in the RV-4 delivery scope (type KCD14582).

Other wheel mount units for use of the RV-4 sensor in combination with other sensors are available:

- Wheel mount S-350, Type KCD16336
- Wheel mount SFII-P, Type KCD14905
- Wheel mount WPT, Type KCD16550



Type KCD14731

WPT Mounting Hardware

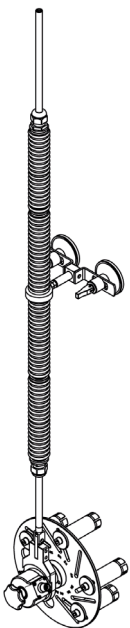
Mounting Example



Description

The WPT mounting hardware Type KCD17165 is designed to mount Kistler wheel pulse transducers Type CWPTA... on the vehicle.

The wheel pulse transducer mounts to the wheel lug nuts via adjustable mounting collets. The torsional protection rod (which maintains rotation around the wheel axis) is affixed to the vehicle body with suction holders (standard) or magnetic holders (option).



Type KCD17165

Adaptions - Examples

RoaDyn® WFT + Wheel Mount for SFII and/or DCA System as well as S-HR Sensor



Spare Parts – Examples

Suction Holders



Type KCD10758 – Mini suction unit, complete



Type KCD10759 – Suction holder unit, complete

Clamps



Type KCD10745 – Mounting for towing lug



Type KCD10741 – Saddle clamp



Type KCD10748 – Strip with flange clamp



Type KCD10742 – Cross clamp



Type KCD10740 – Clamp



Type KCD10743 – Parallel clamp

Others



Type KCD10747 – Safety line



Type KCD10757 – Tube $\varnothing 25$, l = 600 mm, including end plug
Type KCD10756 – Tube $\varnothing 25$, l = 500 mm, including end plug
Type KCD10755 – Tube $\varnothing 25$, l = 250 mm, including end plug
Type KCD10754 – Tube $\varnothing 25$, l = 150 mm, including end plug

Kistler Group

Eulachstrasse 22
8408 Winterthur
Switzerland
Tel. +41 52 224 11 11

Kistler Group includes the Kistler Holding AG and
all its subsidiaries in Europe, Asia, Americas and Australia.

Find your local contact on
www.kistler.com

KISTLER
measure. analyze. innovate.